

DC HIGH VOLTAGE EV RELAY

EVD200



EVD200

PERFORMANCE

ITEM	PARAMETER
Contact Arrangement	SPST-NO
Auxiliary Contact	SPST-NO(Optional) MIN Load: 8Vdc 100mA ; Contact Resistance: ≤100mΩ
Voltage Rating	12-200Vdc 12-750Vdc 12-1000Vdc 12-1500Vdc
Current Rating	1-200A
Current Endurance	200A Cont. ; 300A 10min. ; 400A 180sec. ; 500A 30sec.
Break Current, Max (only 1 time)	2000A 320Vdc
Contact Resistance (Initial)	≤1mΩ (at 200A)
Operate Time (at 20°C)	30ms Max.
Bounce Time (at 20°C)	5ms Max.
Release Time (at 20°C)	10ms Max.
Mechanical Life (0.5s:0.5s)	2×10 ⁵ Cycles
Electrical Life	See graph
Current-carrying capacity curve	See graph
Insulation resistance	Initial: 100MΩ 1000Vdc After test: 50MΩ 1000Vdc
Impulse withstand voltage (initial)	Main contact 1mA/1min.(sea level)
	Main contact & coil 1mA/1min.(sea level)
Mechanical performance	Shock
	Vibration
	Strength
Operating & Storage Condition	Ambient Temperature
	Humidity
Altitude	≤4000m
Weight	approx. 430g
Certification	UL、CE、CCC

COIL DATA

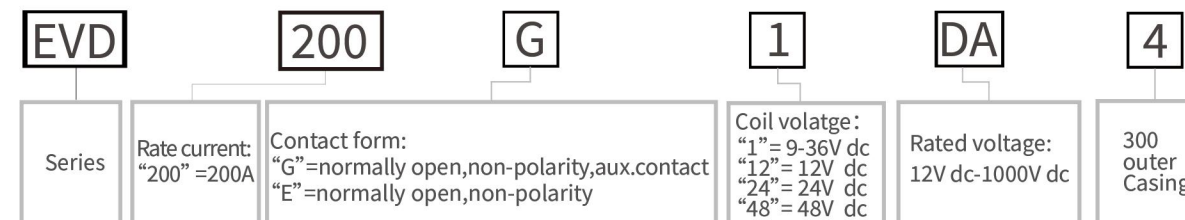
Coil Type	Nominal voltage (at 20°C)	Pick-up voltage (at 20°C)	Drop-out voltage (at 20°C)	Start-up current	Holding power (at 20°C)	Coil polarity
PWM	12-36Vdc	≤9Vdc	≥6Vdc	3.2A MAX	approx. 2.5W	non-polarized
Coil Type	Nominal voltage (at 20°C)	Pick-up voltage (at 20°C)	Drop-out voltage (at 20°C)	Coil resistance (at 20°C)	Holding power (at 20°C)	Coil polarity
Single-coil	12Vdc	≤9.6Vdc	≥1Vdc	25Ω×(1±7%)	approx. 5.76W	non-polarized
	24Vdc	≤19.2Vdc	≥2Vdc	100Ω×(1±7%)	approx. 5.76W	non-polarized
	48Vdc	≤38.4Vdc	≥4Vdc	400Ω×(1±7%)	approx. 5.76W	non-polarized

DC HIGH VOLTAGE EV RELAY

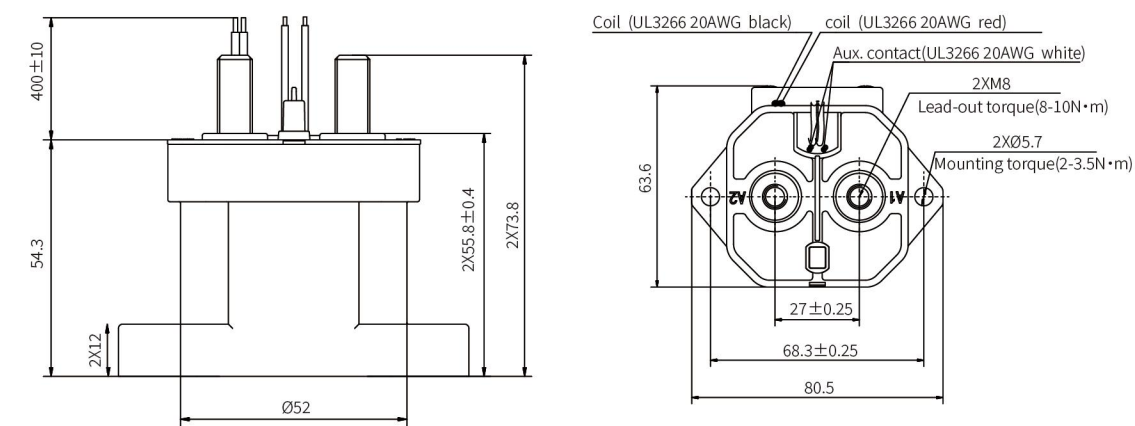
EVD200



PART CODE



DIMENSIONS



Note: 1.fastener:2xM8x8mm; 2.Mounting hardware M 5, torque 2-3.5N·m; 3.Main contact hardware M 8, torque 8-10N·m; 4.Main contact to copper area≥75mm²;

GRAPHS

